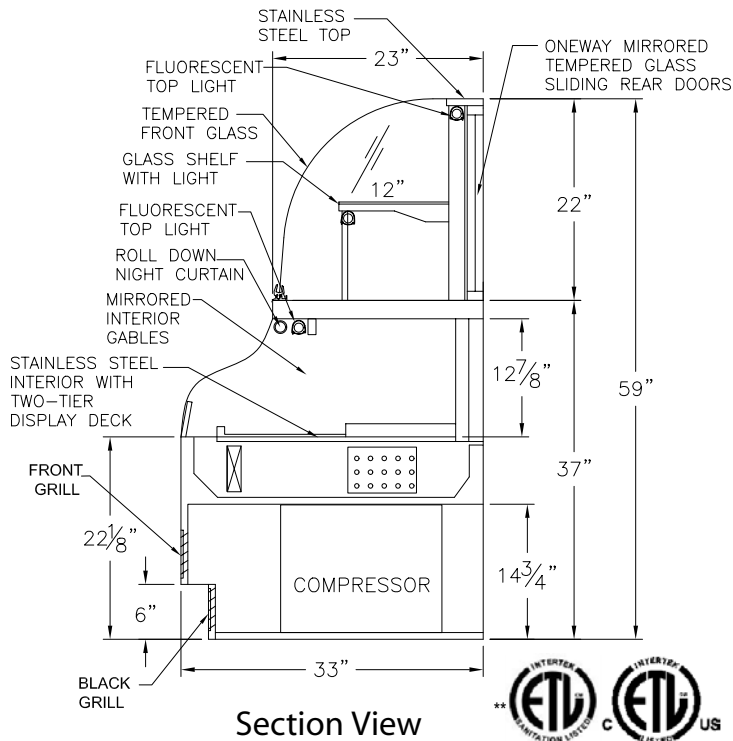


AFD GRAB N' GO COMBO

SELF SERVE REFRIGERATED BELOW / DRY FULL SERVE ABOVE DISPLAY CASE



Specifications

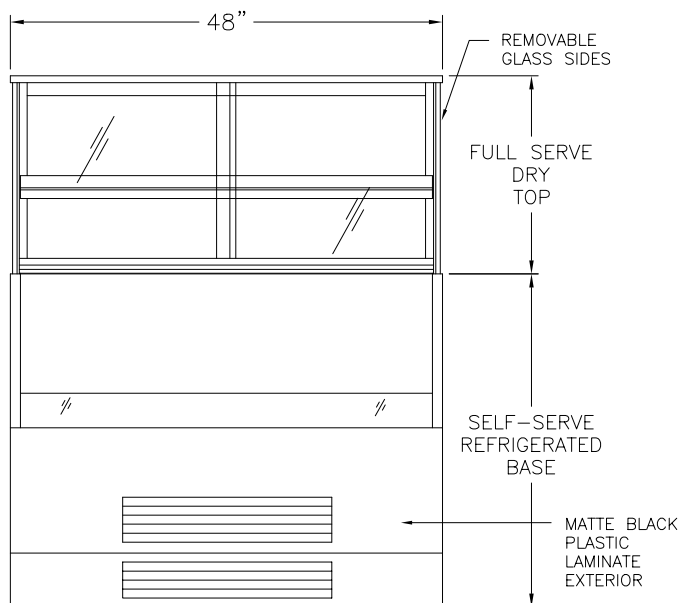
DIMENSIONS	CVIIC 3659	CVIIC 4859	CVIIC 6059	CVIIC 7159	MODEL No.	MODEL No.
Length (in)	36"	48"	60"	71"	L	L
Depth (in)	33"	33"	33"	33"	D	D
Height (in)	59"	59"	59"	59"	H	H

Electrical

Voltage	120	120	120	120	120	120
Amperes (Compressor and Light)	10.5	10.5	10.6	11.1	Amps.	Amps.
Amperes (Elect. Cond. Pan needs separate circuit)	8.4	8.4	8.4	8.4	Amps.	Amps.
Power Cord	8 ft.	8 ft.	8 ft.	8 ft.	8 ft.	8 ft.

Notes

- All specifications are subject to change without notice.
- Custom colors are available.
- Units are designed to operate under normal store conditions of 75°F (24°C) with 50% relative humidity and maintain the temperatures between 35°F to 40°F.
- Condensation may occur on glass in Hot/Humid conditions. AFD is not responsible for any consequential damages as a result.



*DRAIN RECOMMENDED.

Front View



Advanced Fabrication & Design
866-512-6747 p
760-542-6403 f
www.advanced-fabrication.com