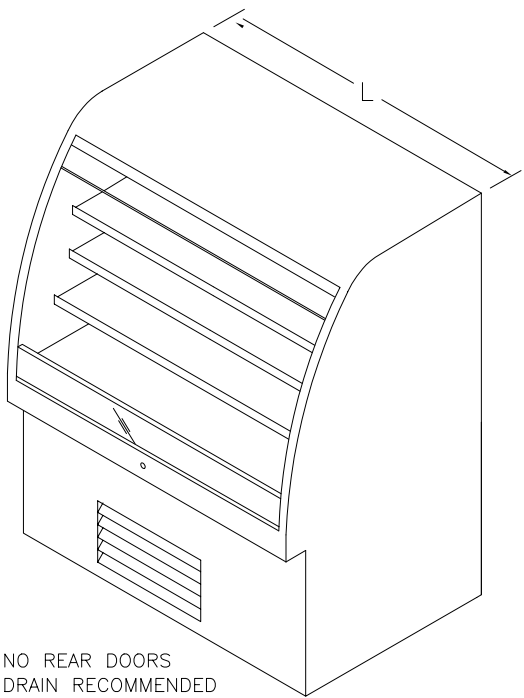
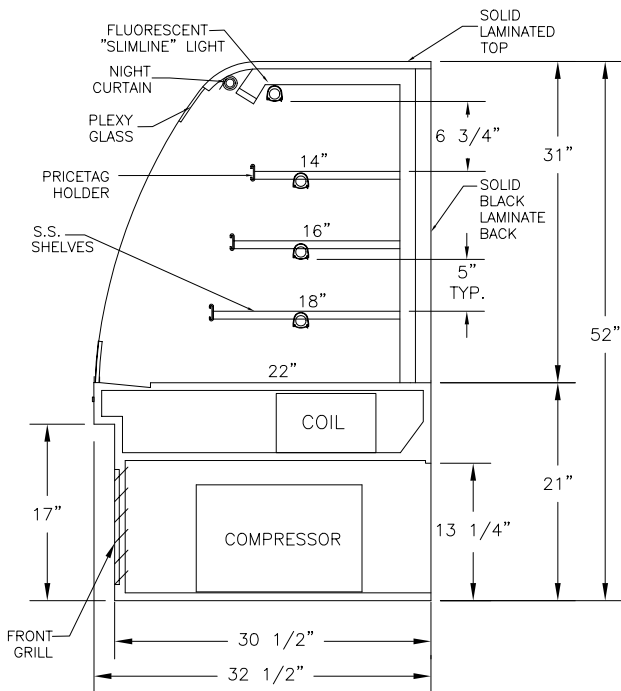


AFD GRAB N' GO

SELF SERVE REFRIGERATED DISPLAY CASE



NO REAR DOORS
DRAIN RECOMMENDED
20 Amp. CIRCUIT REQUIRED.
DIRECT DRAIN REQUIRED FOR 72" L



Specifications

DIMENSIONS	CVR 3652SS	CVR 4852SS	CVR 7252SS	MODEL No.	MODEL No.
Length (in)	36"	48"	72"	L	L
Depth (in)	32.5"	32.5"	32.5"	D	D
Height (in)	52"	52"	52"	H	H

Electrical

Voltage	120	120	208-220	120	120
Amperes (Compressor and Light)	12.4	12.4	20	-	-
Amperes (Elect. Cond. Pan needs separate circuit)	8	8	DIRECT DRAIN	-	-
Power Cord	8 ft.	8 ft.	8 ft.	8 ft.	8 ft.

Notes

- All specifications are subject to change without notice.
- Custom colors are available.
- Units are designed to operate under normal store conditions of 75°F (24°C) with 50% relative humidity and maintain the temperatures between 35°F to 40°F.
- Condensation may occur on glass in Hot/Humid conditions. AFD is not responsible for any consequential damages as a result.



Advanced Fabrication & Design
866-512-6747 p
760-542-6403 f
www.advanced-fabrication.com